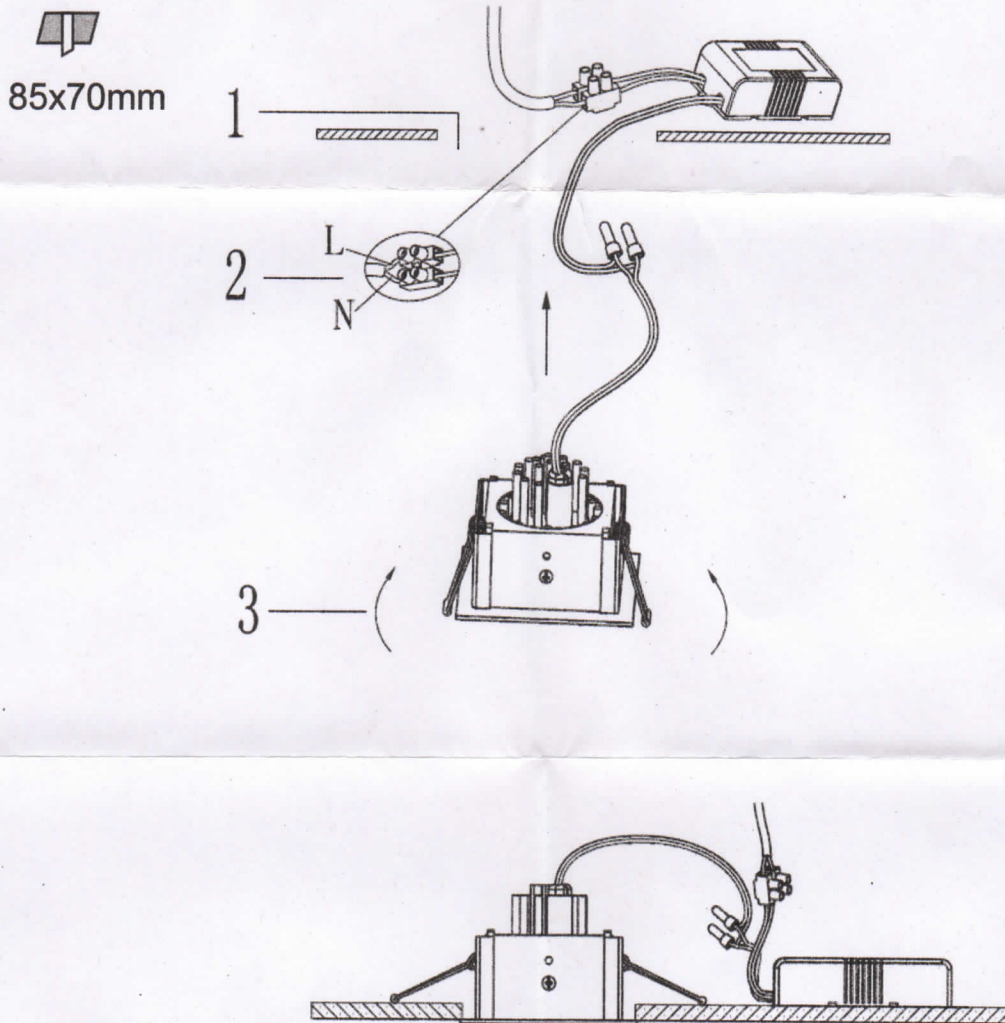


R10403

Please read instructions before commencing installation and retain for future reference.



INSTALLATION INSTRUCTIONS:

1. Make a hole;
2. Connect it to power;
3. put it into the hole.

Note:

Lamp LED 5.4W