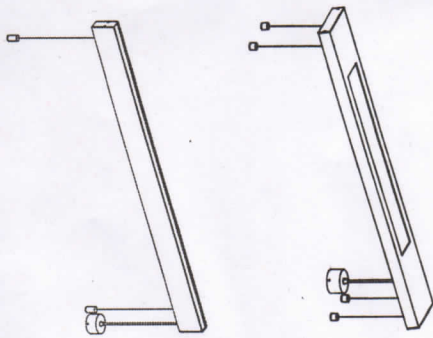


# Architectural Lighting

Model: **R10088**  
 Power: T16 54W  
 Model: **R10092**  
 Power: T16 39W  
 Model: **R10091**  
 Power: T16 2x35W  
 220-240V/50-60Hz



Thanks for choosing our products, in order to protect your consumption right and personal safety, please read this instruction carefully before uses and keep this as the future reference.

### Things to know:

This lighting fixtures is falling into Class 1 category, and must connect to the earth.

Installation must be done by professional electrician

Please ensure the power has been cut off before installation, in order to prevent the electric shock, make sure the power supply that can't be resumed by anybody before the job done.

This product should be installed together with fuse.

The maintenance should be done by the professional.

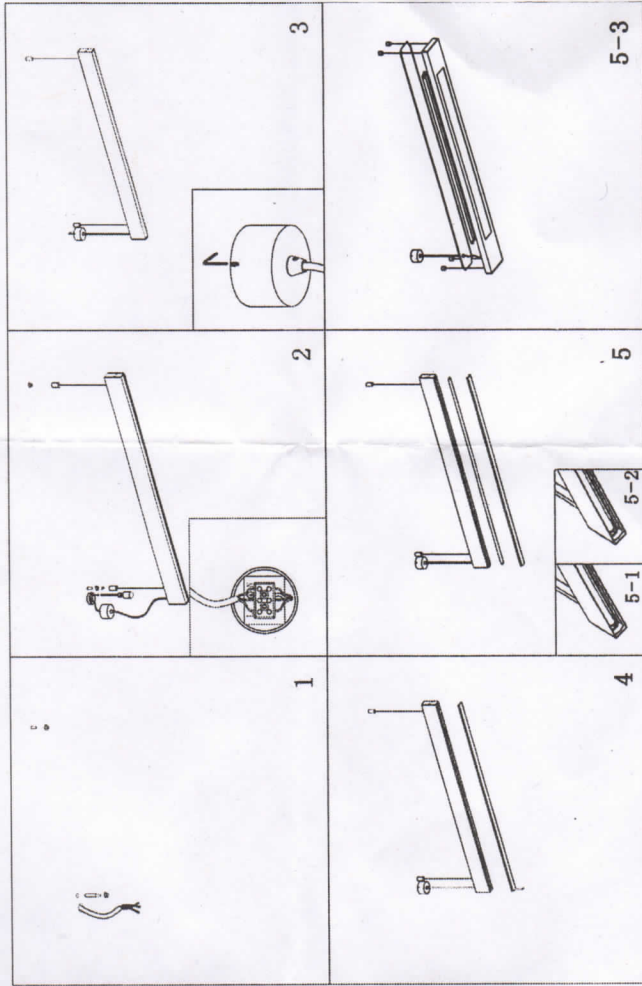
The defective ballast could not be treated as the normal rubbish and should be returned and make use of the normal parts.

Please consult the authorized department or retailers for returned advice.

### Method of installation:

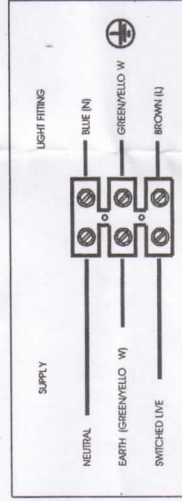
1. Get the swell screw into the ceiling
2. Tighten the swell screw with hanging fixture, and then make the fixture tightly, then put the mounting board onto ceiling, finally connecting the power cord correctly.
3. Tighten the terminal box in clockwise direction by using appropriate tools.
4. Take off cover by using appropriate tools.
5. Select the appropriate light source according to the model and put the cover on properly.

6. Follow the step 4 and 5 when changing the light source.
7. The demonstration below is only suitable for the indicated models.



### Connecting method:

Please connect the power cord properly as shown by the drawing.



### Counter checking:

Make sure you have selected the correct type of wire  
 Make sure the connection is correct and firm.

Make sure there is no cable left outside of the terminal.  
 After finished, make sure there is no naked or loose electric wire left behind, the exposed area must be wrapped by double insulator in order to prevent any leakage.

### Hygiene & Safety:

We advise to use the soft cloth to clean up and do not attempt to use any chemical agent in order to avoid any damages from the surface.

**For your safety, please cut off the power supply before changing or cleaning the lamp source.**